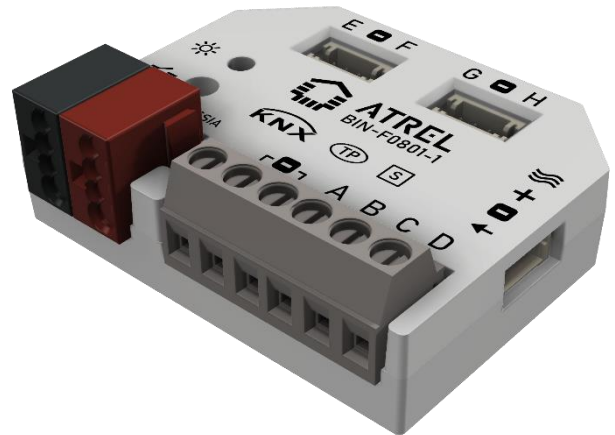


A module of binary inputs/outputs, temperature sensors and a leak sensor in a compact housing for mounting a mounting box.



Features:

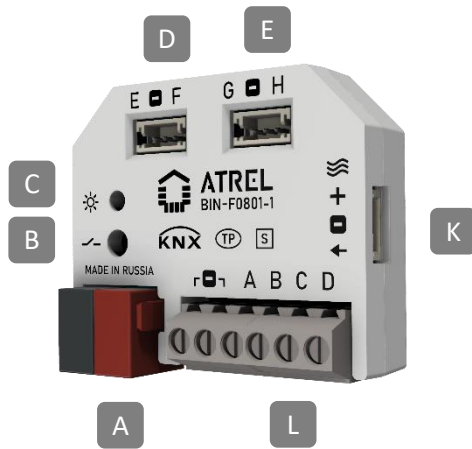
- Up to 8 binary inputs
 - Switch mode
 - Short/long press
 - Pulse counter
 - Scene activation
 - Curtain control
 - Dimmer control
- Up to 8 LED outputs
- Up to 4 NTC temperature sensors
- Up to 4 loops with digital temperature sensors (up to 4 sensors on each loop, with the function of averaging, maximum, minimum values)
- Up to 4 loops with digital humidity sensors art. Artel OWH-S0110-1
- Up to 4 loops with digital light sensors art. Atrel OWL-S0110-1
- Connection of a passive sound source of the "piezoelectric emitter" type
- Connector for connection of the «Neptune» leak sensor
- 4 thermostats
- 20 logic modules, with the ability to configure any of the 31 functions for each

Technical specifications:

Specifications	
Device power supply	from the KNX bus, without external power supply
Number of inputs, max	8
Number of outputs, max (for LED up to 2mA each)	8
Connection type	Two 3-wire connectors (with 10 and 20 cm cable)
Maximum length temperature sensor cable	30 meters
Cable cross-section	Up to 1mm ²
Type of installation	Into the mounting or junction box
Input for the "Neptune" type leak sensor	
Connection type	3-wire connector with cable (10 cm)
Operating voltage	12-15V
Maximum allowable consumption	2mA (up to two sensors connected in parallel)
KNX Interface	
Specification	TP-256
Configuration program	ETS 5.7 or above
Connection	Standard TP1 KNX/EIB connector (type WAGO 234-211)
Operating voltage	21-30V DC
Operating current (29V DC)	<= 5mA < 150mW
Environmental conditions	
Operating temperature range	0 to +45°C
Operation humidity range	5 to 95% (non-condensing)
Storage temperature	-20 to +45°C
Other	
Housing material	PC/ABS
Fire resistance class	UL94-V0
Weight	20 g.
Size	42x33x12mm



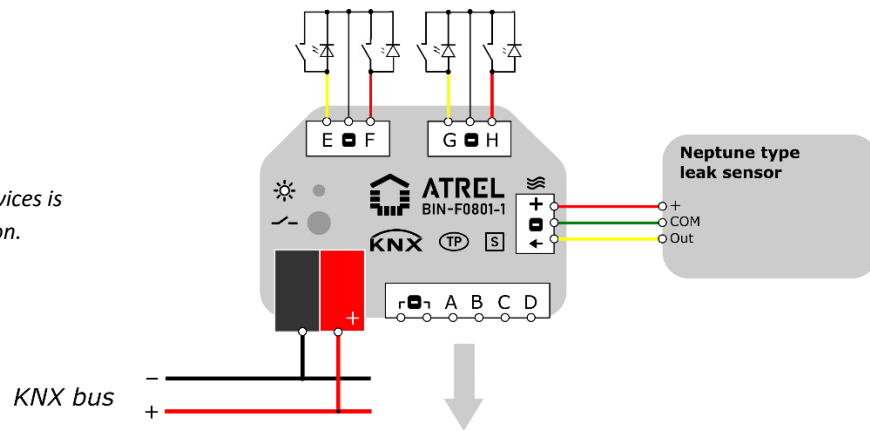
Controls and indications



- A - Terminal for connecting the KNX bus
- B - Button for programming mode
- C - Programming mode LED
- D, E - Connectors for cable connector
- K - Connector for the Neptune type leak sensor
- L - Screw terminal block

Connection diagram

Any combination of these devices is acceptable in any combination.



Device connection diagrams

Terminal	Image	ETS	Purpose	Accessory, Note
A, B, C, D		Binary input	A "dry contact" type input for connecting a switch, a button	
A, B, C, D [**]		Temperature sensor	Input for the NTC or digital temperature sensor	NTC-S0101-1, NTC-S0102-1, NTC-S0103-1
A, B, C, D [*]		LED output	Output for LED type indicator, permissible current up to 2mA	
A, B, C, D [*]		Humidity sensor	Input for digital humidity sensor	OWH-S0XXX-X
A, B, C, D [*]		Digital temperature sensor	Digital temperature sensor input	OWR-S0101-1
A		Buzzer	Output for a passive sound emitter of the "piezo emitter" type	
A, B, C, D [*]		Light sensor	Digital light sensor input	

* It is necessary to observe the polarity, negative (black) wire can be switched to any negative terminal [-]

** Any of the wires can be connected to any negative terminal [-]



Supported computing functions:

Logical	Operands (max)
Logical "And"	8
Logical "OR"	8
Logical "XOR"	8
Multiplexer, 1Bit	7+select
Memory cell, 1Bit	1+write+restore
Comparisons	
All equal (with hysteresis)	8
First smallest (with hysteresis)	8
First smallest or equal (with hysteresis)	8
First largest (with hysteresis)	8
First largest or equal (with hysteresis)	8
Mathematical	
Addition	8
Subtraction	8
Division	8
Multiplication	2
Remainder of division	2
Accumulator	1+reset
Statistical	
Maximum	8
Minimum	8
Average	8
Trimmed mean	8
Moving average	1
Number of non-zero values	8
Other	
Logical conversion / Gate	1
Format conversion / Gate	1
Switch with 2 thresholds	1
Differential switch	1+reset
Pulse counter	1+reset
Multiplexer	7+select
Input number indicator	8
Memory cell	1+ write +restore
Staircase timer	1

Accessories:

Name	Article number
Temperature sensor NTC 10k 0.5%. cable 1.3*2.7mm, 1 meter	NTC-S0101-1
Temperature sensor NTC 10k 1%, cable ø4mm, 2.5 meters	NTC-S0102-1
Temperature sensor NTC 10k 1% with sleeve, cable ø4mm, 2.5 meters	NTC-S0103-1
Digital temperature sensor, cable ø4mm, 2.5 meters	OWR-S0101-1
Digital Humidity Sensor for BIN-F0801-1.2*AWG24. 0.2 meters	OWH-S0110-1
Digital Light Sensor for BIN-F0801-1.2*AWG24, 1 meter	OWL-S0110-1